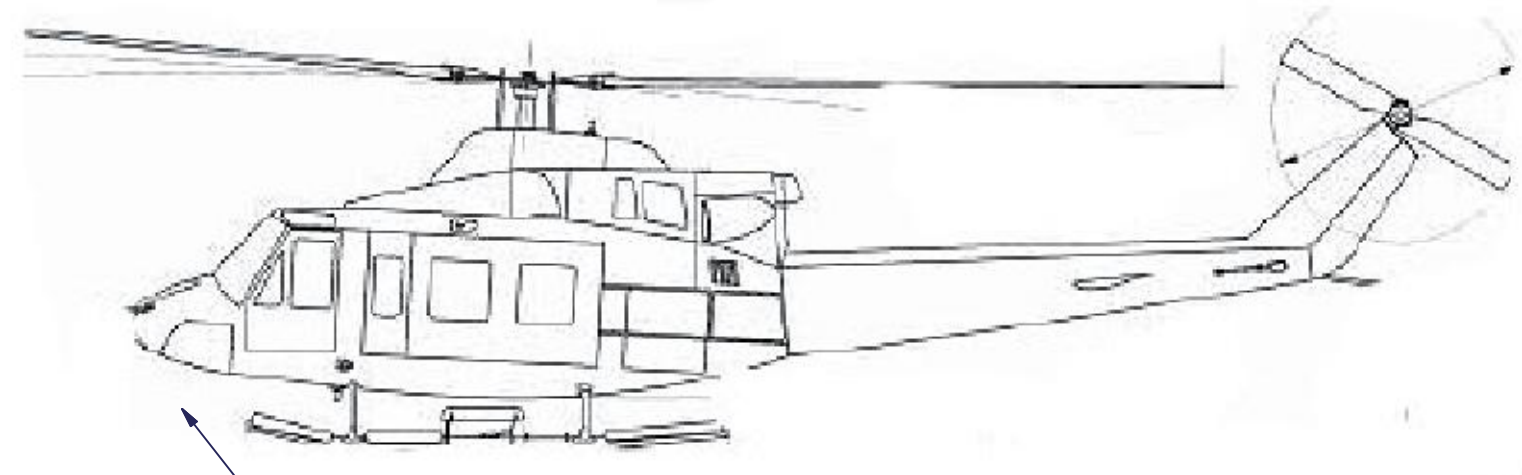
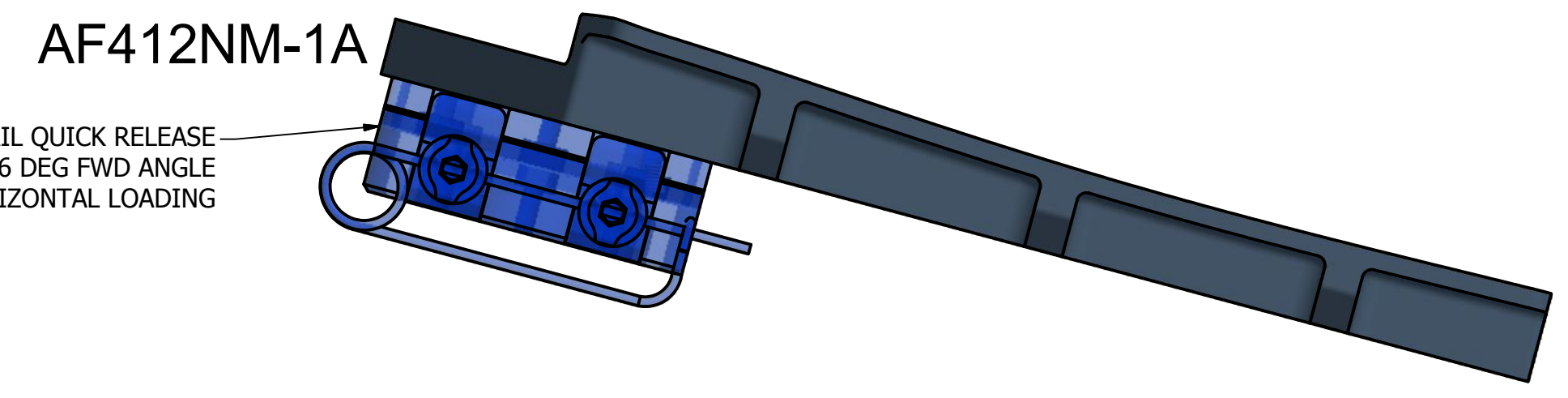


REVISION HISTORY		
REV	DESCRIPTION	DATE
N/C	ORIGINAL	4/4/2009



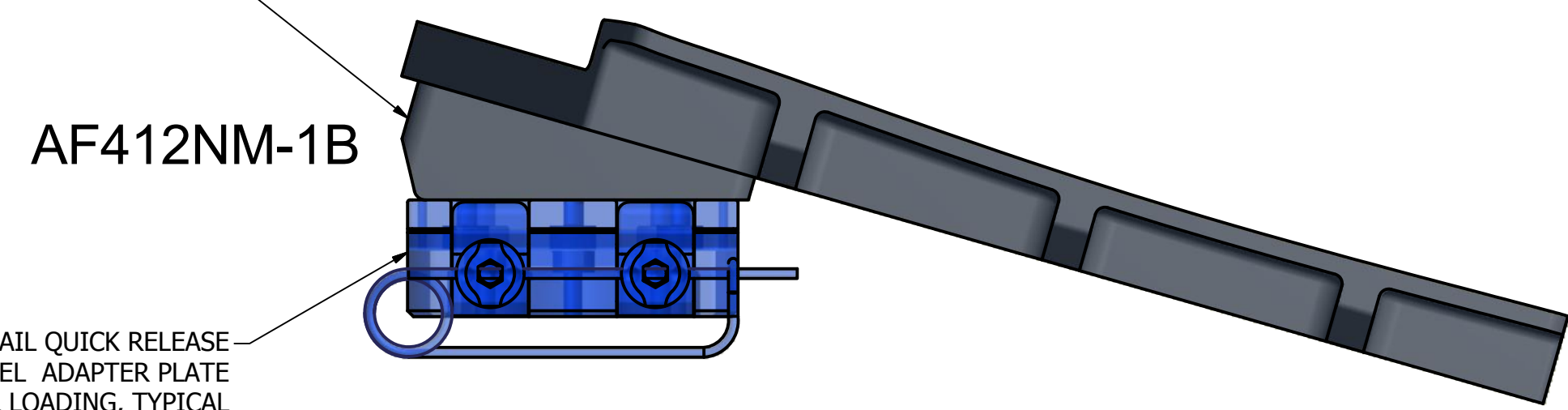
AF412NM-1 LOCATION



AF412NM-1A

OPTIONAL DT-1 DOVE TAIL QUICK RELEASE
MOUNTED FLUSH 16 DEG FWD ANGLE
HORIZONTAL LOADING

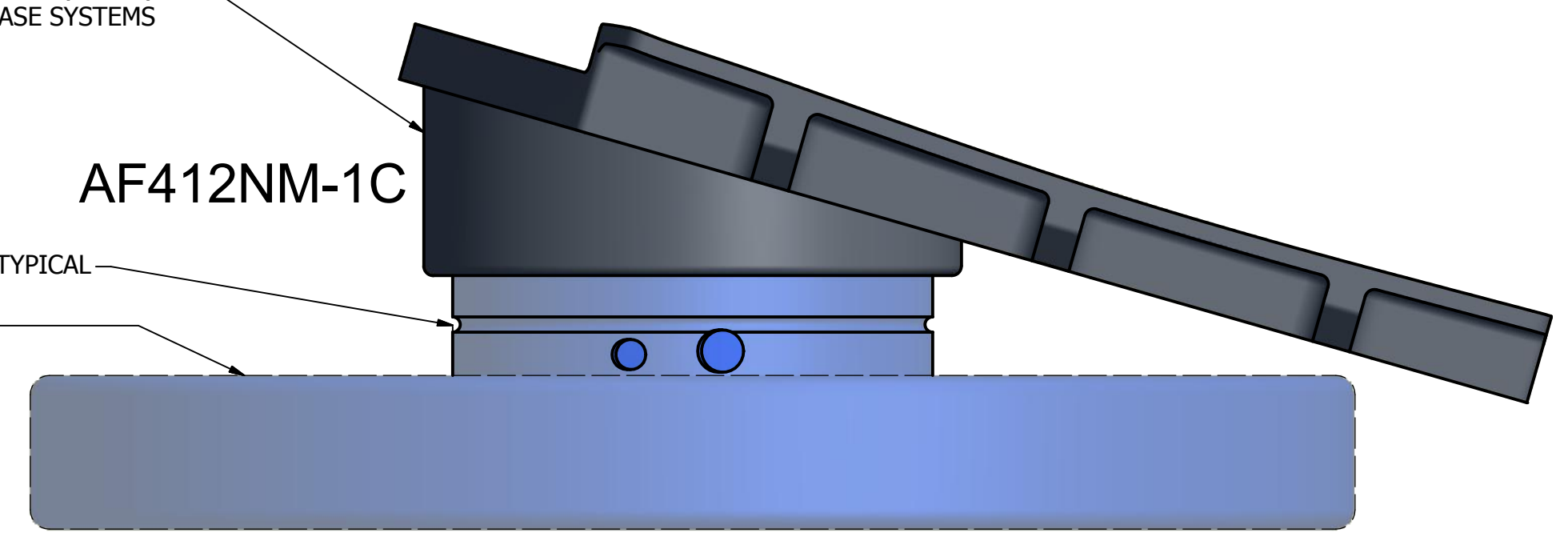
GROUND LEVEL ADAPTER PLATE (SMALL)
FOR USE WITH DT RELEASE SYSTEMS



AF412NM-1B

OPTIONAL DT-1 DOVE TAIL QUICK RELEASE
GROUND LEVEL ADAPTER PLATE
HORIZONTAL LOADING, TYPICAL

GROUND LEVEL ADAPTER PLATE (LARGE)
FOR USE WITH QDD OR DT RELEASE SYSTEMS



AF412NM-1C

OPTIONAL QDD-1 QUICK RELEASE (VERTICAL LOADING), TYPICAL
OPTIONAL V1725,V15,V12 VIBRATION REDUCER ASSY, TYPICAL

SEE INSTALLATION MANUAL FOR OPTIONAL CONFIGURATIONS,
INSTALLATION LIMITATIONS, AND DETAILED REQUIREMENTS.

UNLESS OTHERWISE NOTED ALL DIMENSIONS ARE INCH TOLERANCES DECIMALS .X +/- 0.1 .XX +/- 0.03 .XXX +/- 0.005 ANGULAR +/- 0.5 DEG BREAK ALL SHARP EDGES	AIRFILM MFG DRAWING		AirFilm Camera Systems Georgetown, Ca 530-333-0193 www.airfilm.com		
	DRAWN <i>S.P. Herrina 4/4/2009</i>				
	CHECKED C. MEEKER 4/4/2009		TITLE NOSE MOUNT UTILITY BRACKET ASSY		
	APPROVED J. FOX 4/4/2009		SIZE C	DWG NO AF412NM-1	REV N/C
		SCALE N/A	SHEET 1 OF 6		