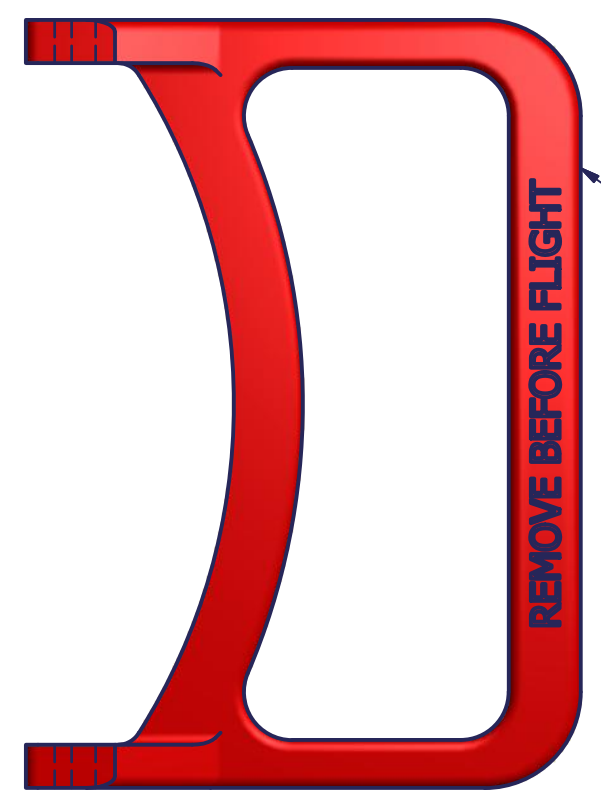
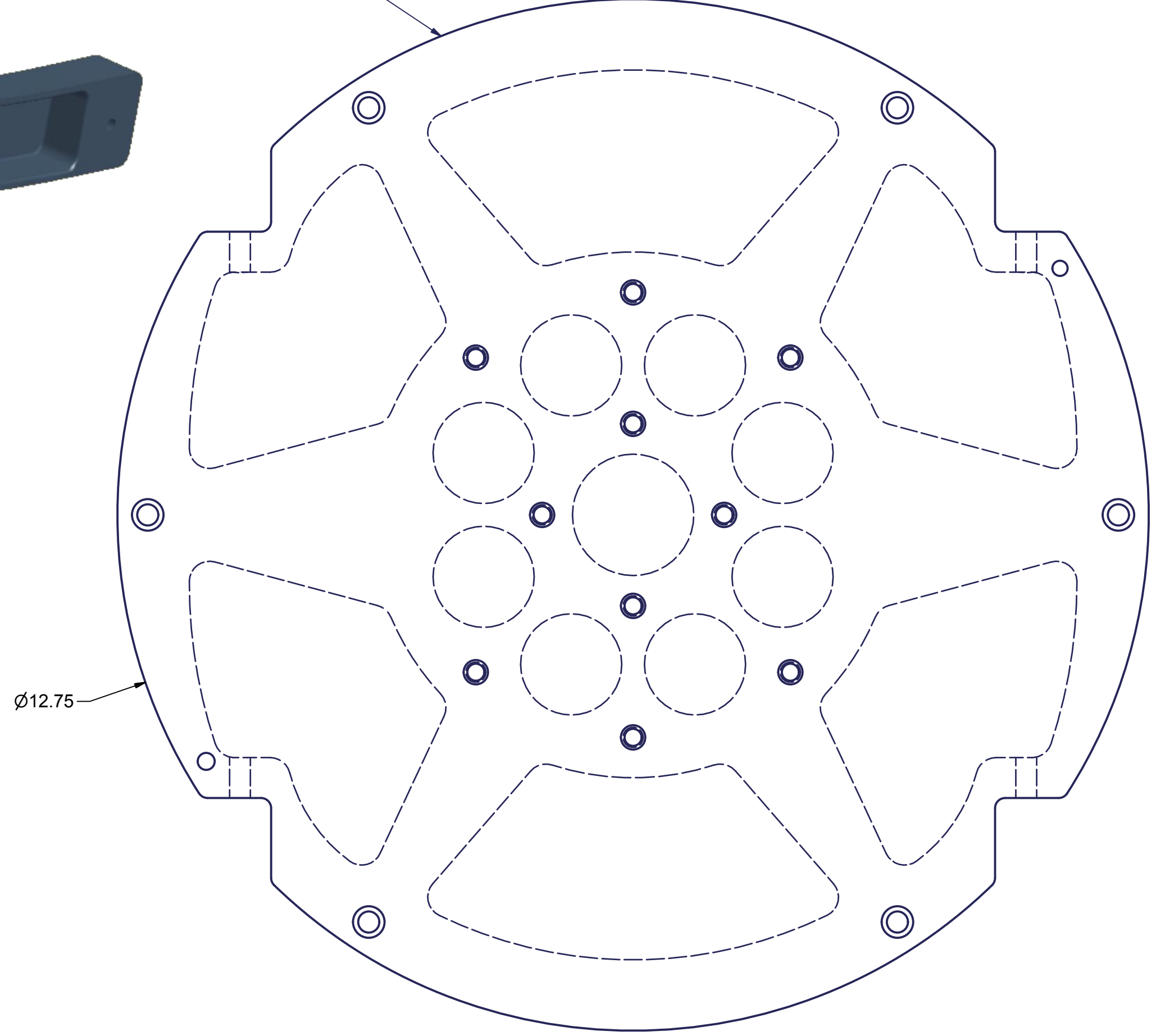
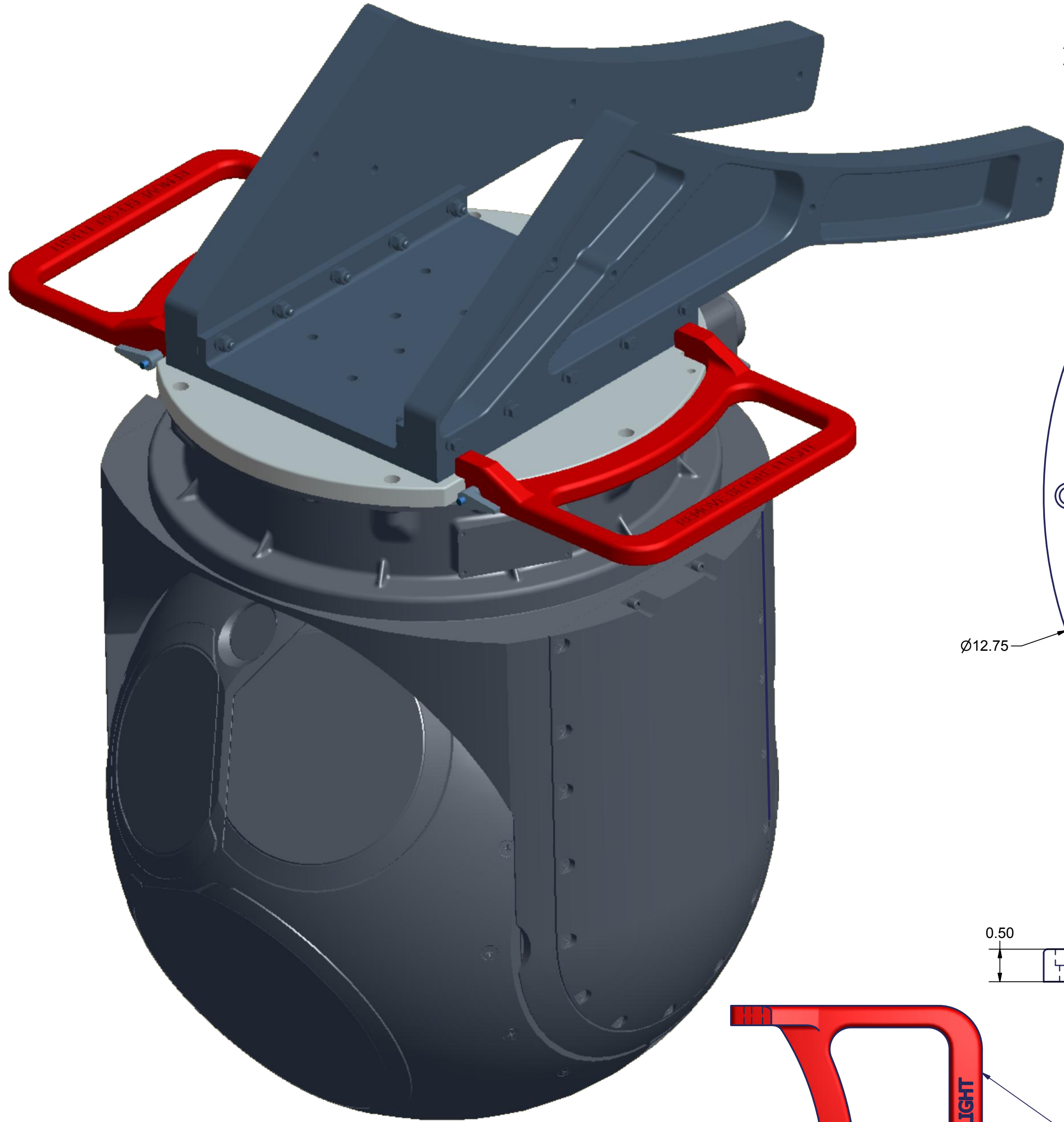


REVISION HISTORY		
REV	DESCRIPTION	DATE
N/C	ORIGIANAL	5/1/2009

SEE INSTALLATION MANUAL FOR OPTIONAL CONFIGURATIONS, INSTALLATION LIMITATIONS, AND REQUIREMENTS.

ADAPTER ASSY
AFM-ADP-MX15-10



CARRY HANDLE

<small>UNLESS OTHERWISE NOTED ALL DIMENSIONS ARE INCH TOLERANCES</small> <small>DECIMALS .X +/- 0.1 .XX +/- 0.03 .XXX +/- 0.005</small> <small>ANGULAR +/- 0.5 DEG</small> <small>BREAK ALL SHARP EDGES</small>	AIRFILM MFG DRAWING		AirFilm Camera Systems Georgetown, Ca 530-333-0193 www.airfilm.com	
	<small>DRAWN</small> <i>S.P. HERRING 5/1/2009</i>		<small>TITLE</small> MX15 ADAPTER	
	<small>CHECKED</small> C. MEEKER 5/1/2009		<small>SIZE</small> C	
	<small>APPROVED</small> J. FOX 5/1/2009		<small>DWG NO</small> AFM-ADP-MX15-1	
<small>THIS DRAWING AND SPECIFICATION IS THE PROPERTY OF AIRFILM CAMERA SYSTEMS, AND SHALL NOT BE COPIED OR DIVULGED IN WHOLE OR IN PART AS THE BASIS FOR MANUFACTURING OR SALE OF THE ITEM OR ITEMS DISCLOSED.</small>		<small>SCALE</small> N/A		<small>REV</small> N/C
<small>SHEET</small> 1 <small>OF</small> 1				