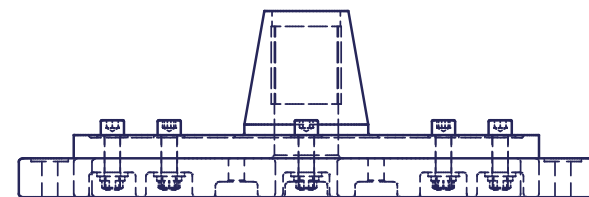
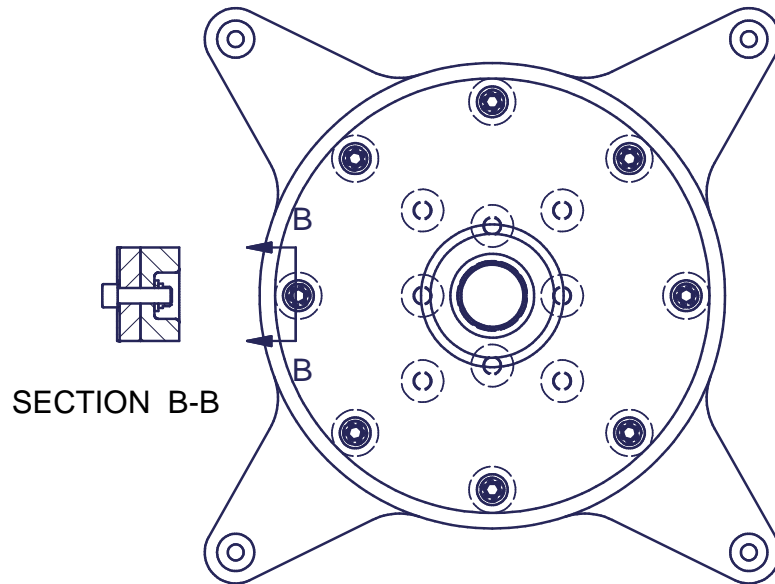
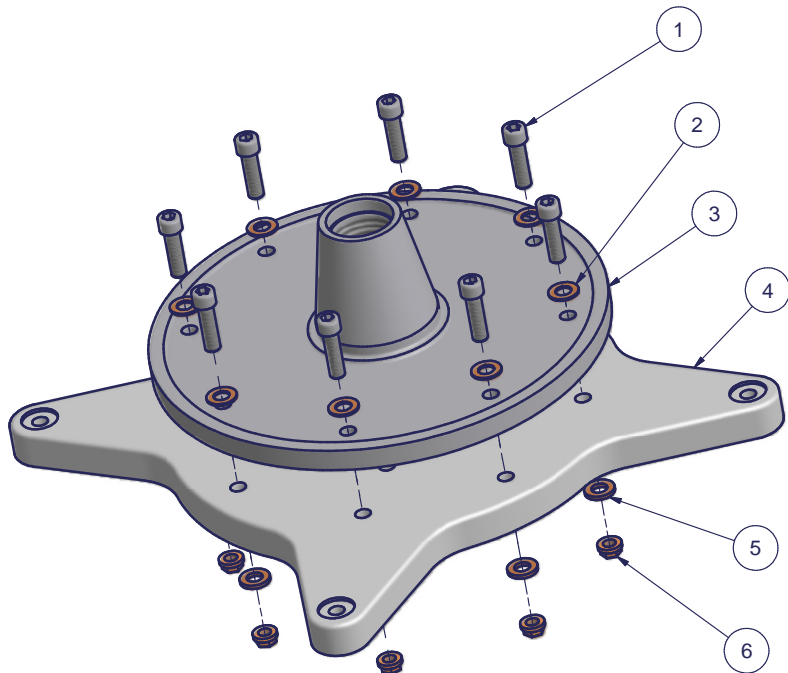


Parts List			
ITEM	QTY	PART NUMBER	DESCRIPTION
1	8	MS16998-46	CAP SCREW OR EQVL
2	8	AN960-416L	WASHER THIN
3	1	CF-10	MALE TAPER
4	1	CFT-PT275	CF TAPER TO PT350 ADPATER
5	8	AN960-416	WASHER
6	8	MS21042-4	STOP NUT



REVISION HISTORY			
ZONE	REV	DATE	APPROVED
	N/C	5/5/2007	JCF

UNLESS OTHERWISE NOTED ALL DIMENSIONS ARE INCH TOLERANCES DECIMALS .X +/- 0.1 .XX +/- 0.03 .XXX +/- 0.005 ANGULAR +/- 0.5 DEG BREAK ALL SHARP EDGES	ASSY DRAWING		AirFilm Camera Systems Georgetown, Ca 530-333-0193 www.airfilm.com	
	DRAWN <i>S.P. Herring</i>	5/5/2007	TITLE CFT - PT 275 ADAPTER ASSY	
	CHECKED SPH	5/5/2007	SIZE B	DWG NO CF-16
	APPROVED JCF	5/5/2007	SCALE	REV N/C
<small>THIS DRAWING AND SPECIFICATION IS THE PROPERTY OF AIRFILM CAMERA SYSTEMS, AND SHALL NOT BE COPIED OR DIVULGED IN WHOLE OR IN PART AS THE BASIS FOR MANUFACTURING OR SALE OF THE ITEM OR ITEMS DISCLOSED.</small>			SHEET 1 OF 1	