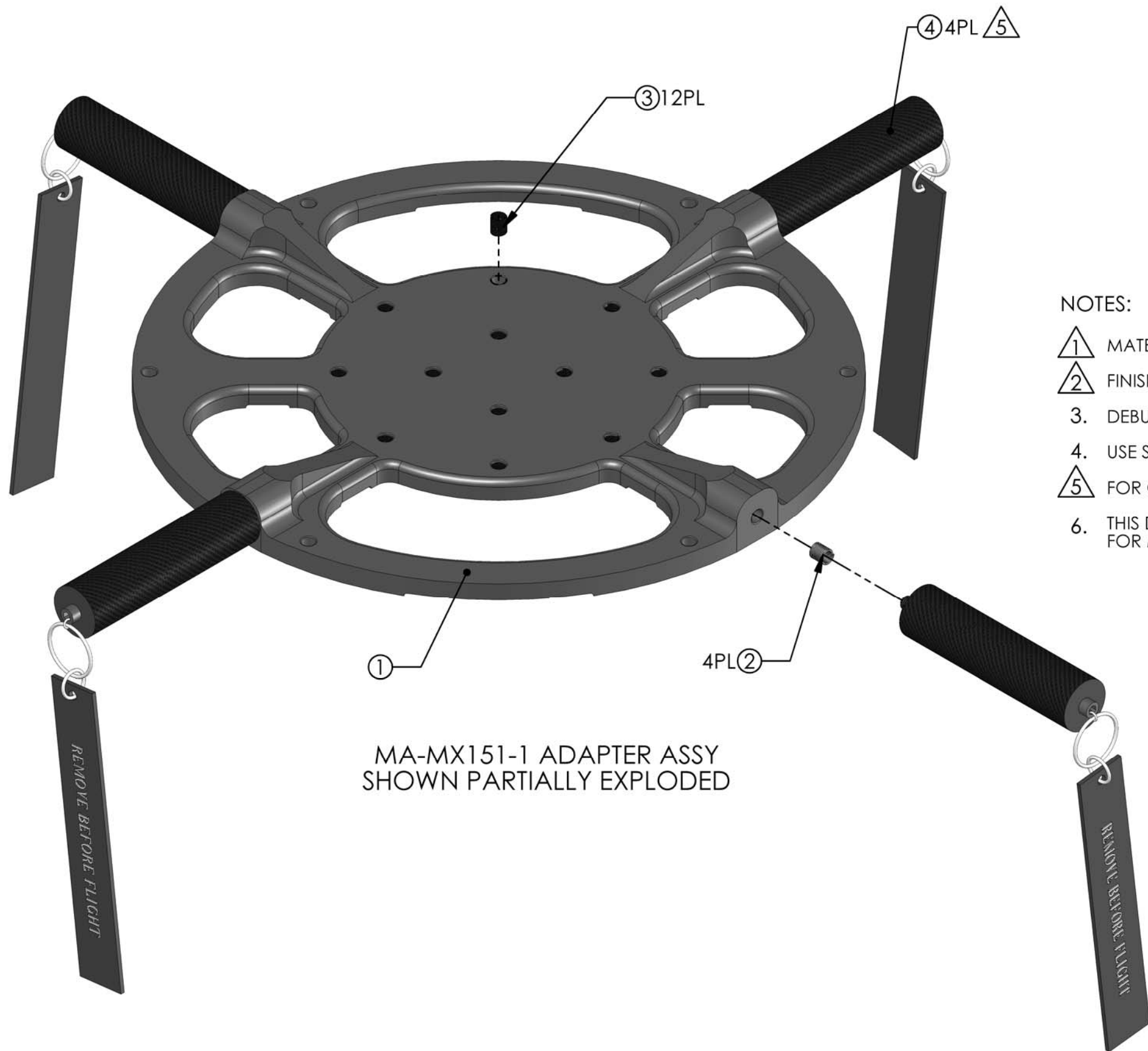


1 2 3 4 5 6 7 8

THE INFORMATION CONTAINED IN THIS DRAWING IS THE SOLE PROPERTY OF MEEKER AVIATION ANY REPRODUCTION IN PART OR WHOLE WITHOUT THE WRITTEN PERMISSION OF MEEKER AVIATION IS PROHIBITED.

REVISIONS			
REV.	DESCRIPTION	DATE	APPROVED

A
B
C
D



MA-MX151-1 ADAPTER ASSY
SHOWN PARTIALLY EXPLODED

NOTES:

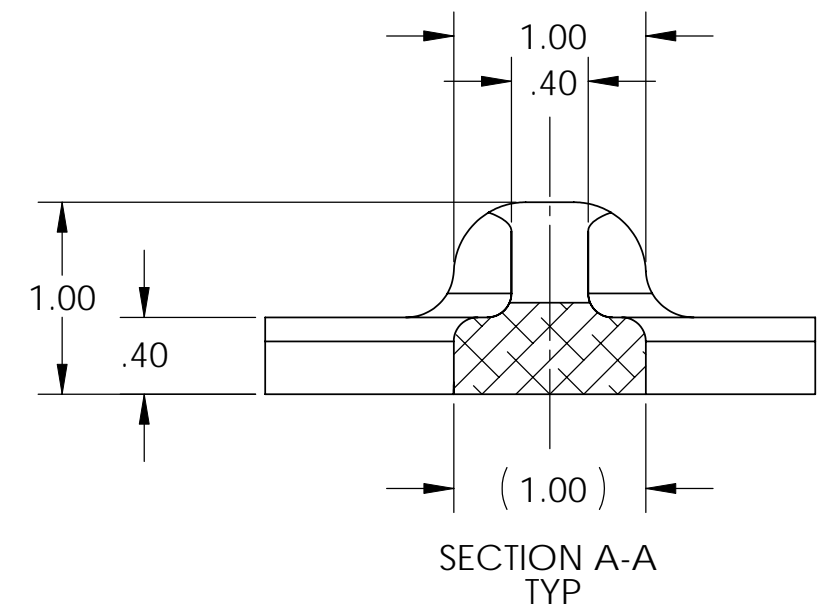
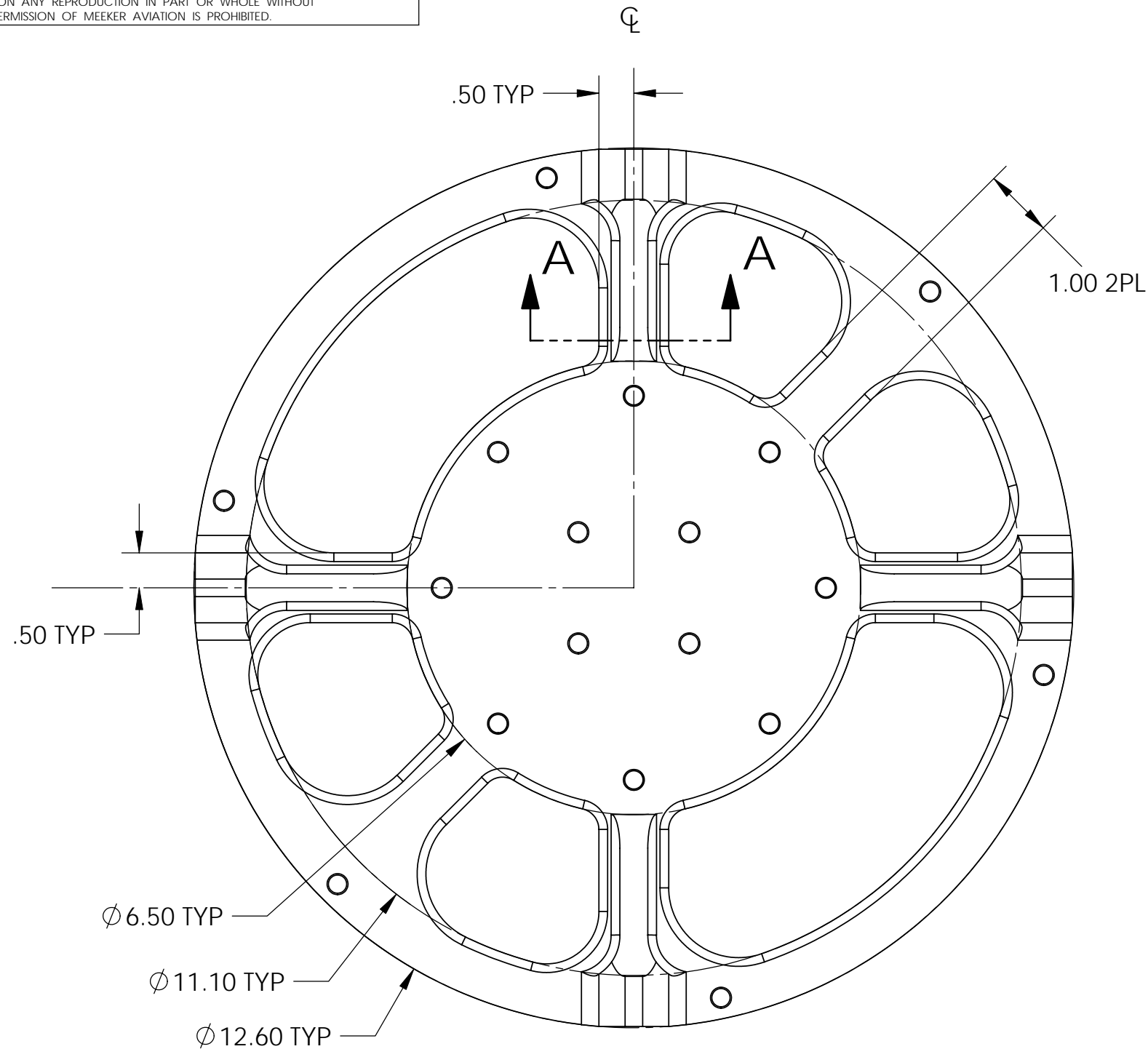
- ① MATERIAL: AL 6061-T651 PER AMS-QQ-A-250/11
- ② FINISH: HARD ANODIZE IAW MIL-A-8625 TYPE III CLASS 2, COLOR: BLACK
- 3. DEBURR AND BREAK ALL SHARP EDGES
- 4. USE SPECIFIED HARDWARE OR ITS EQUIVALENT
- ⑤ FOR GROUND USE ONLY, REMOVE PRIOR TO FLIGHT
- 6. THIS DRAWING IS INTENDED FOR PUBLIC REFERENCE ONLY FOR MANUFACTURING PURPOSES, SEE DRAWING NO. MA-MX151

QTY	FIND #	PART #	DESCRIPTION	MATL	SPEC.
4	4	MA-HNDL	HANDLE		
12	3	MS21209F4-15	HELICAL INSERT	3591-4CN375	
4	2	MS21208F4-15	HELICAL INSERT	1191-4CN375	
1	1	MA-MX151 ADP	ADAPTER	①	②
		MA-MX151-1	ADAPTER ASSY		
-1	FIND #	PART #	DESCRIPTION	MATL	SPEC.

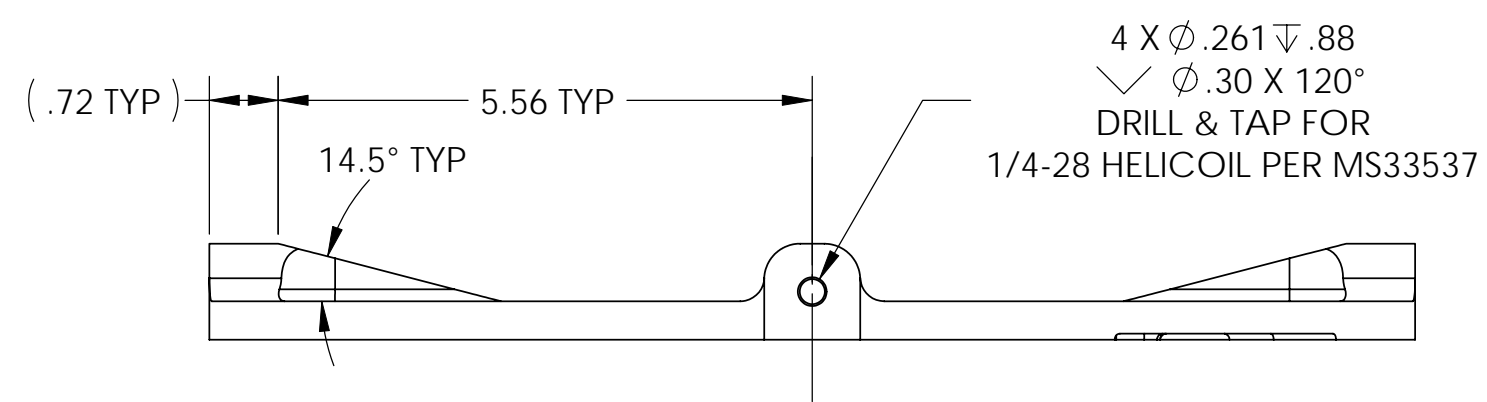
NEXT ASSY (S)		ORIGINAL DATE (MO-DA-YR) DATE 07-15-08		MEEKER AVIATION 2608 TEMPLE HEIGHTS DR. OCEANSIDE, CA. 92056-3512 (604)644-1125	
		DRAWN BY S. HUFF CHECKER P. BRAVO			
		DRAWING APPROVAL C. MEEKER DATE 07-15-08 CONTRACT No.		ADAPTER ASSY (PUBLIC)	
		UNLESS OTHERWISE SPECIFIED DIMENSIONS ARE IN INCHES TOLERANCES ARE: 2 PLACE DECIMALS ±.010 3 PLACE DECIMALS ±.005 ANGLES ±.5°			
SIZE	CAGE CODE	DWG. NO.	REV.		
B	8A885	MA-MX151 PUB	N/C		
SCALE NONE			SHEET 1 OF 3		

1 2 3 4 5 6 7 8

THE INFORMATION CONTAINED IN THIS DRAWING IS THE SOLE PROPERTY OF MEEKER AVIATION ANY REPRODUCTION IN PART OR WHOLE WITHOUT THE WRITTEN PERMISSION OF MEEKER AVIATION IS PROHIBITED.



MA-MX151 ADP ADAPTER



ORIGINAL DATE (MO-DA-YR) DATE 07-15-08	MEEKER AVIATION		
DRAWN BY S. HUFF	CHECKER P. BRAVO	2608 TEMPLE HEIGHTS DR. OCEANSIDE, CA. 92056-3512 (604)644-1125	
DRAWING APPROVAL		ADAPTER ASSY (PUBLIC)	
CONTRACT No.		SIZE B	REV. N/C
UNLESS OTHERWISE SPECIFIED DIMENSIONS ARE IN INCHES TOLERANCES ARE: 2 PLACE DECIMALS $\pm .010$ 3 PLACE DECIMALS $\pm .005$ ANGLES $\pm .5^\circ$		CAGE CODE 8A8B5	DWG. NO. MA-MX151 PUB
		SCALE NONE	SHEET 2 OF 3

1 2 3 4 5 6 7 8

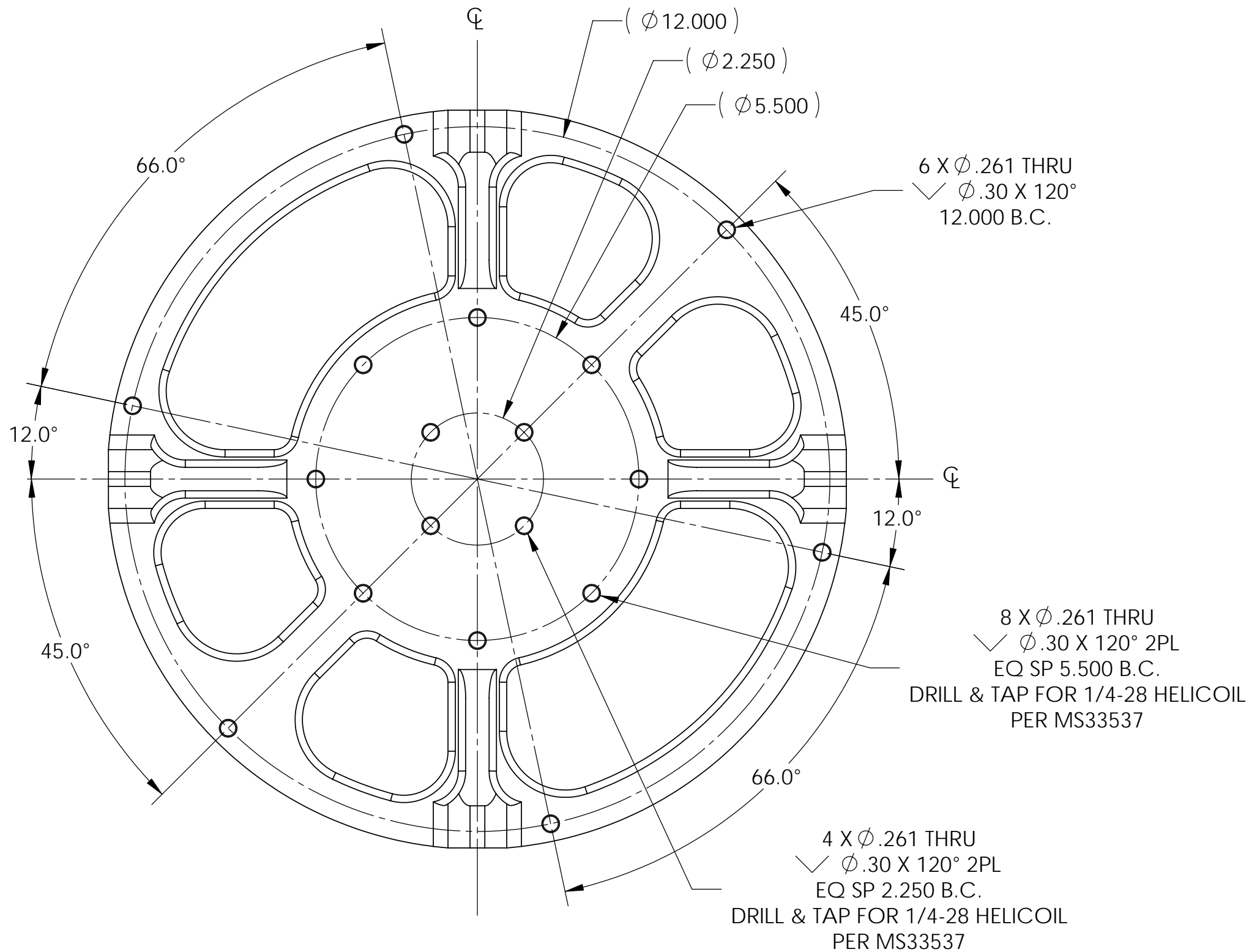
A

B

C

D

THE INFORMATION CONTAINED IN THIS DRAWING IS THE SOLE PROPERTY OF MEEKER AVIATION ANY REPRODUCTION IN PART OR WHOLE WITHOUT THE WRITTEN PERMISSION OF MEEKER AVIAITON IS PROHIBITED.



ORIGINAL DATE (MO-DA-YR) DATE 07-15-08		MEEKER AVIATION 2608 TEMPLE HEIGHTS DR. OCEANSIDE, CA. 92056-3512 (604)644-1125		
DRAWN BY S. HUFF	CHECKER P. BRAVO			
DRAWING APPROVAL		ADAPTER ASSY (PUBLIC)		
CONTRACT No.				
UNLESS OTHERWISE SPECIFIED DIMENSIONS ARE IN INCHES TOLERANCES ARE: 2 PLACE DECIMALS $\pm .010$ 3 PLACE DECIMALS $\pm .005$ ANGLES $\pm .5^\circ$		SIZE B 8A8B5	DWG. NO. MA-MX151 PUB	REV. N/C
		SCALE NONE	SHEET 3 OF 3	